

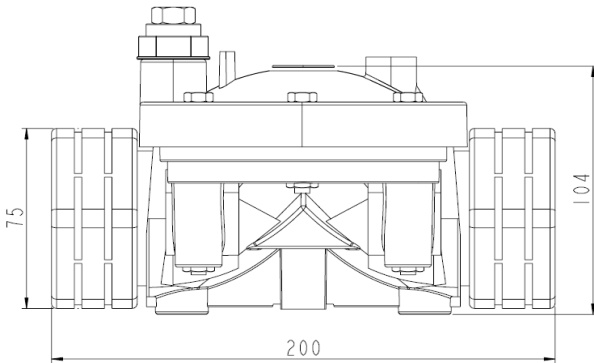
## Specification

<b>Port Size</b>	2-inch, DN50
<b>Port Connection</b>	Female Thread Connected, BSP
<b>Body Material</b>	Glass-fiber Reinforced PA66

## Operation Data

<b>Max. Flow Range</b>	m <sup>3</sup> /h	40
	gal/min(US)	176
<b>Max. Working Pressure</b>	bar	10
	psi	145
<b>Min. Pressure</b>	bar	0.69
	psi	10
<b>Max. Temperature</b>	°C	60
	°F	140

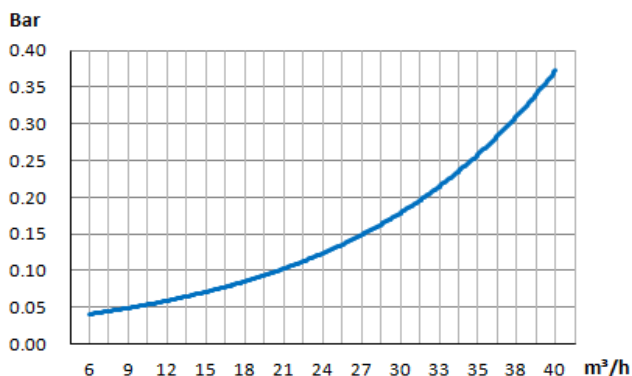
## Dimensions (in millimetre)



## Product Uses

- Irrigation systems (Field Valves)
- Underground irrigation systems
- Sewage systems
- Water supply systems
- Municipal water systems
- Agriculture
- Landscaping
- Green Houses
- Filtration
- Sprinkler systems

## Head Loss Chart: 3-way Electric Valve

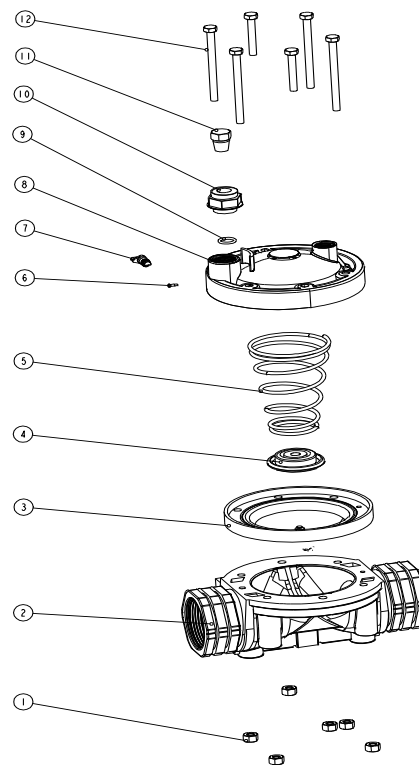


<< Relationship between Flow and Head Loss >>

**Horizontal Axis Q :** Flow rate, 1m<sup>3</sup>/h=4.4gpm(US)=3.67gpm(UK);  
**Vertical Axis ΔH :** Head loss, 1Bar=14.5Psi=0.1mwc.



## Components



No.	Parts	Material
1	Hexagonal Nuts x 6	304 SST
2	Valve Body	Reinforced PA66
3	Diaphragm	NR
4	Spring Seat	POM
5	Spring	304 SST
6	Latch	Brass
7	Manual Override Switch	POM
8	Valve Bonnet	Reinforced PA66
9	O-Ring	NBR
10	Adapter	Reinforced PA66
11	Screw Plug	Reinforced PA66
12	Bolts x 6	304 SST